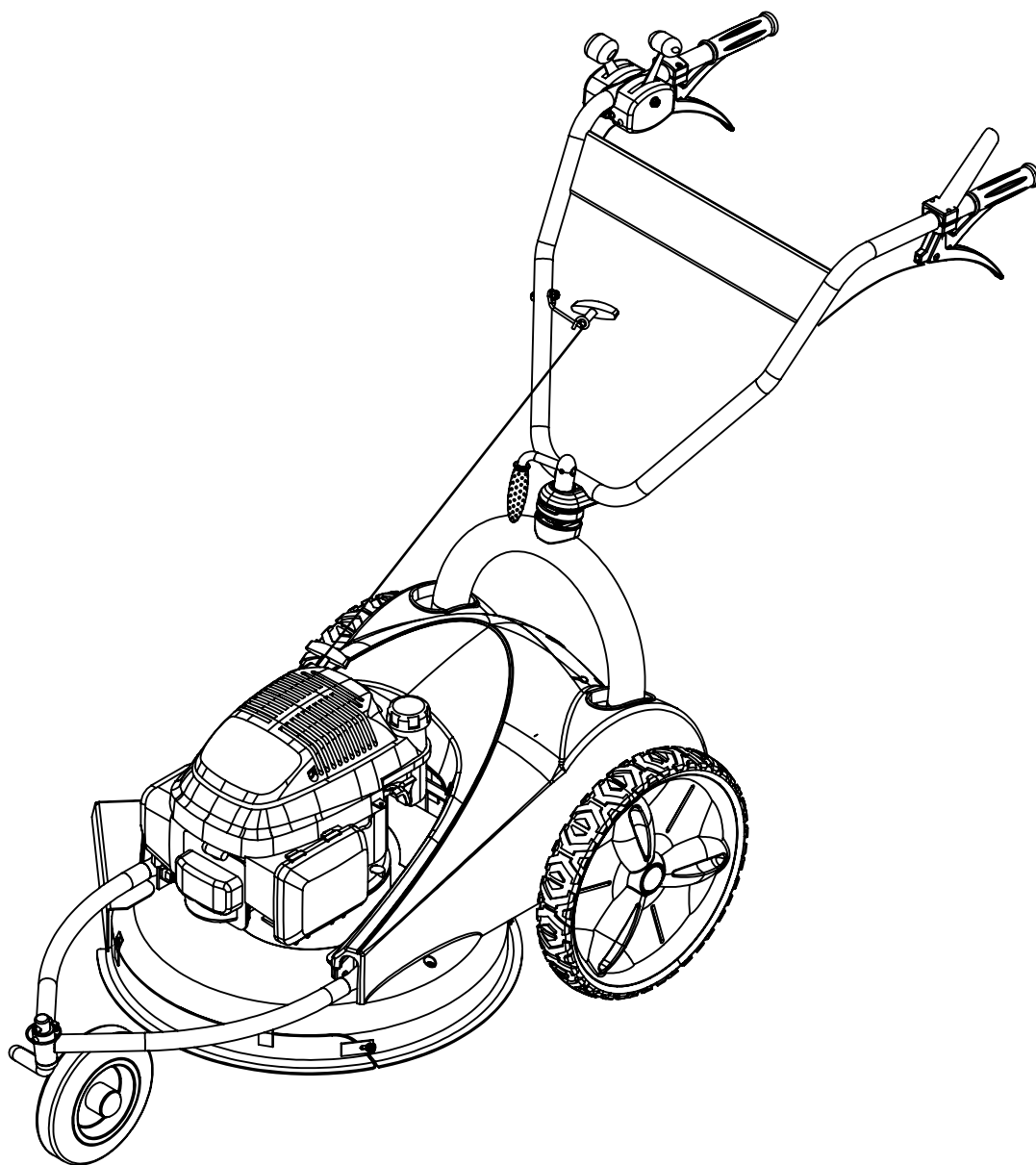
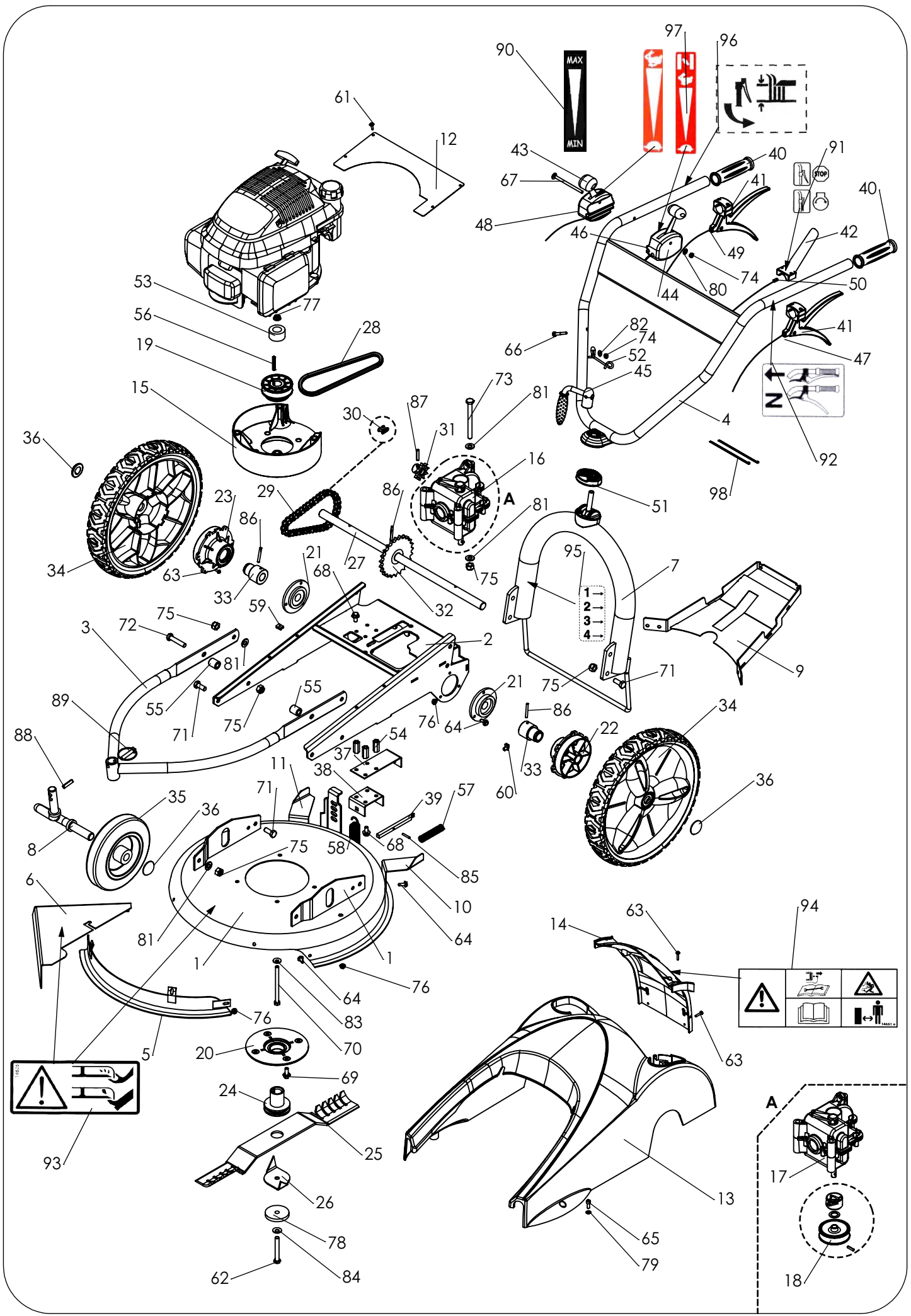


Pièces de rechange Spare parts list

XTREM -M -04



*DEBROUSSAILLEUSE
BRUSHCUTTER*

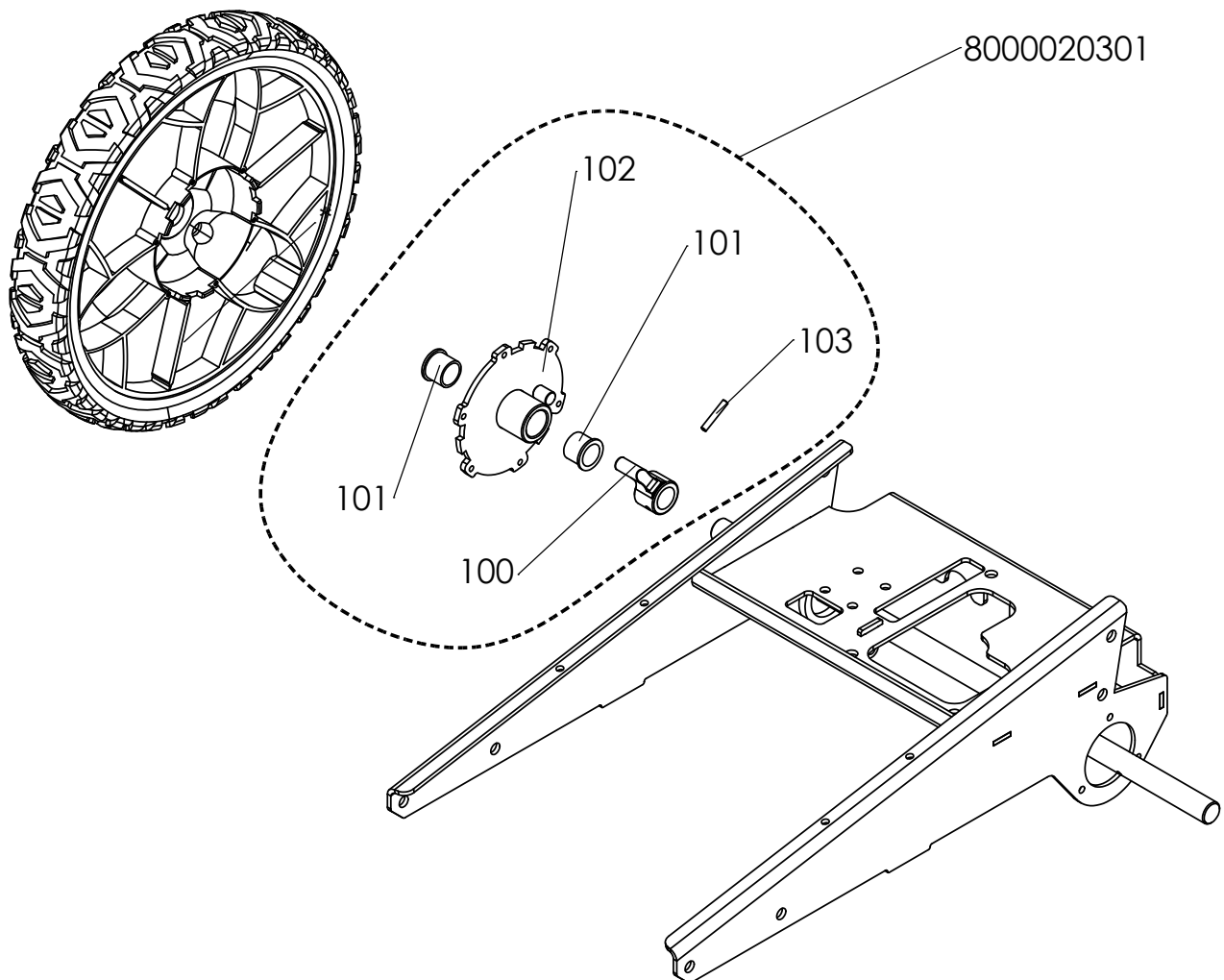


| Rep N° | Ref. | Designation | Description | Qte |
|--------|------------|---|--|-----|
| 1 | 4002030501 | Coupelle E51 Pro V2 Gris 8120 | Blade guard E51 Pro V2 Grey 8120 | 1 |
| 1 | 4002033001 | Coupelle E51 Pro V2 (gris 7015) | Blade guard E51 Pro V2 (grey 7015) | 1 |
| 2 | 4002030301 | Châssis arrière E51 Pro V2 noir | Rear chassis E51 Pro V2 black | 1 |
| 3 | 4002030306 | Châssis avant E51 Pro V2 noir | Front chassis E51 Pro V2 black | 1 |
| 3 | 4002030506 | Châssis avant E51 Pro V2 gris (8120) | Front chassis E51 Pro V2 grey (8120) | 1 |
| 4 | 4002030303 | Guidon E51 PRO V2 Noir | Black Handlebar E51 Pro V2 | 1 |
| 4 | 4002031703 | Guidon E51 Pro V2 Jaune (1028) | Yellow (1028) Handlebar E51 Pro V2 | 1 |
| 4 | 4002033103 | Guidon E51 Pro V2 Jaune (P1235C) | Handlebar E51 Pro V2 yellow (P1235C) | 1 |
| 5 | 4002000505 | Défecteur avant Gris (8120) | Grey (8120) Front deflector | 1 |
| 5 | 4002003005 | Défecteur avant Gris (7015) | Grey (7015) Front deflector | 1 |
| 6 | 4002000504 | Deflecteur lat E51 Gris (8120) | Grey (8120) Side deflector | 1 |
| 6 | 4002003007 | Deflecteur lat E51 Gris (7015) | Grey (7015) Side deflector | 1 |
| 7 | 4002030308 | Arceau vissé E51 Pro V2 noir | Tube fram E51 Pro V2 black | 1 |
| 7 | 4002033108 | Arceau vissé E51 Pro V2 Jaune (P1235C) | Tube fram E51 Pro V2 yellow (P1235C) | 1 |
| 7 | 4002031708 | Arceau vissé E51 Pro V2 jaune (1028) | Yellow (1028) Tube fram E51 Pro V2 | 1 |
| 8 | 4002000304 | Support de roue Noir | Black Support front weel | 1 |
| 8 | 4002000506 | Support de roue Gris (8120) | Grey (8120) Support front weel | 1 |
| 9 | 4002030502 | Support capot + protection Noir | Black support engine bonnet + protective cover | 1 |
| 10 | 0304000116 | Renfort capot Arr gauche | Left carter holding sheet | 1 |
| 11 | 0304000115 | Renfort capot Arr droit | Right carter holding sheet | 1 |
| 12 | 4002030304 | Tole prot cour E51 Pro V2 GCV noir | Cover belt E51 Pro V2 GCV black | 1 |
| 12 | 4002030307 | Tole prot cour E51 Pro V2 BS noir | Cover belt E51 Pro V2 BS Black | 1 |
| 13 | 0340030020 | Capot moteur rouge (3001) | Red (3001) engine bonnet | 1 |
| 13 | 0340030022 | Capot moteur orange | Orange engine bonnet | 1 |
| 13 | 0340030024 | Capot moteur bleu (5010) | Blue (5010) engine bonnet | 1 |
| 13 | 0340030030 | Capot moteur vert (6029) | Green (6029) engine bonnet | 1 |
| 13 | 0340030032 | Capot moteur orange (P165) | Orange (P165) engine bonnet | 1 |
| 13 | 0340030036 | Capot moteur Rouge (3000) | Red (3000) engine bonnet | 1 |
| 13 | 0340030038 | Capot moteur jaune (1028) | Yellow (1028) engine bonnet | 1 |
| 14 | 0340030021 | Trappe de visite rouge (3001) | Red (3001) inspection hatch | 1 |
| 14 | 0340030023 | Trappe de visite orange | Orange inspection hatch | 1 |
| 14 | 0340030025 | Trappe de visite bleu (5010) | Blue (5010) inspection hatch | 1 |
| 14 | 0340030031 | Trappe de visite vert RAL 6029 | Green RAL 6029 inspection hatch | 1 |
| 14 | 0340030033 | Trappe de visite orange (P165) | Orange (P165) inspection hatch | 1 |
| 14 | 0340030037 | Trappe de visite rouge (3000) | Red (3000) inspection hatch | 1 |
| 14 | 0340030039 | Trappe de visite jaune (1028) | Yellow (1028) inspection hatch | 1 |
| 15 | 0340030034 | Rehausse Plastique | Plastic engine raiser | 1 |
| 16 | 0306040014 | Réducteur XTREM04 | Gearbox XTREM04 | 1 |
| 17 | 0002050005 | Réducteur (sans variateur de vitesse) | Gearbox (without variable speed transmission) | 1 |
| 18 | 0002050007 | Kit Poulie Variatrice V1C1 (noir) => XTREM04 | Kit Variation motor pulley (black) | 1 |
| 19 | 0306060014 | Poulie variatrice moteur | Variation motor pulley | 1 |
| 20 | 0340030028 | Palier coupelle E51 Pro V2 | Blade guard hub | 1 |
| 21 | 0340030013 | Palier arbre de roue Ø20 | Wheel-axle bearing | 2 |
| 22 | 0340030027 | Palier roue libre gauche E51 Pro V2 | Left ratchet wheel hub | 1 |
| 23 | 0340030029 | Palier roue libre droit E51 Pro V2 | Right ratchet wheel hub | 1 |
| 24 | 0302030047 | Moyeu de lame E51 Pro V2 | Blade hub | 1 |
| 25 | 0320020006 | Lame E51 Pro V2 | Blade | 1 |
| 26 | 0304000117 | Coupe filandreux | Stringy cutter | 1 |
| 27 | 0302010054 | Arbre de roue E51 Pro V2 | Wheel shaft E51 Pro V2 | 1 |
| 28 | 0306030051 | Courroie | Fanbelt | 1 |
| 29 | 0306020015 | Chaîne ISO 08B-1 pas 12.7 (35 maillons+AR+MC) | Chain ISO 08B-1 pitch 12.7 | 1 |
| 30 | 0001000378 | Attache rapide (12.7) | Quick fastener (12.7) | 1 |
| 31 | 0306050019 | Pignon 9 dts pas 12.7 ales 15 | Sprocket 9 teeth 12.7 Ø15 | 1 |
| 32 | 0306050020 | Pignon 23 dts Pas 12.7 ales Ø20 | Sprocket 23 teeth 12.7 Ø20 | 1 |
| 33 | 0302030048 | Moyeu roue E51 Pro V2 | Wheel hub | 2 |
| 34 | 0340030026 | Roue arrière | Rear wheel | 2 |
| 35 | 0309000009 | Roue av Ø200 ales 20 | Front Wheel Ø200 | 1 |
| 36 | 0300702001 | Enjoliveur Ø20 | Trim stopper Ø20 | 3 |
| 37 | 4002040104 | Support verrouillage basculeur | Support locking raising | 1 |
| 38 | 4002000102 | Support axe basculeur | Locking pin support | 1 |
| 39 | 0302010030 | Axe relevage | Locking pin | 1 |
| 40 | 0341000036 | Poignée plastique Ø25 | Hand side grip Ø25 | 2 |
| 41 | 0307010006 | Levier Mag Ø22 et Ø25 | Lever Mag Ø22 et Ø25 | 2 |
| 42 | 0307010015 | Levier frein moteur | Engine brake lever | 1 |
| 43 | 0307020008 | Manette de variation de vitesse | Speed variation lever | 1 |
| 44 | 0307020009 | Manette de gaz | Throttle lever | 1 |
| 45 | 0300801202 | Poignée serrage guidon femelle | Handlebar tightening lever | 1 |

| Rep N° | Ref. | Designation | Description | Qty |
|--------|------------|---------------------------------|-------------------------------------|-----|
| 46 | 0308040027 | Câble de gaz | Throttle cable | 1 |
| 47 | 0308020034 | Câble d'embrayage avancement | Forward clutch cable | 1 |
| 48 | 0308010004 | Câble de vitesse | Gear cable | 1 |
| 49 | 0308030004 | Câble de réglage hauteur | Height setting cable | 1 |
| 50 | 0308050008 | Câble frein lame | Engine brake cable | 1 |
| 51 | 0303000013 | Secteur cranté guidon | Filler piece | 1 |
| 52 | 0305030001 | Accroche lanceur E51-03 | Starter Hook | 1 |
| 53 | 0302020045 | Entretoise 40 x 22 x 22 (GCV) | Spacer 40 x 22 x 22 (GCV) | 1 |
| 53 | 0302020046 | Entretoise 40 x 22 x 8 (briggs) | Spacer 40 x 22 x 8 (briggs) | 1 |
| 54 | 0302020047 | Entretoise Hexa M8 x 30 | Spacer M8 x30 | 3 |
| 55 | 0302020049 | Entretoise 20 x 10.5 x 23 | Spacer 20 x 10.5 x 23 | 2 |
| 56 | 0301040001 | Clavette 4.76x4.76x40 | Key 4.76x4.76x40 | 1 |
| 57 | 0305020001 | Ressort CP 15x75x16/10 galva | Locking spring | 1 |
| 58 | 0305010009 | Ressort TR relevage E51 | High adjustment spring | 1 |
| 59 | 0301050001 | Clips 4.2 | Clips 4.2 | 4 |
| 60 | 0301050002 | Clip EJOT easy 4x4x9 | Easy clip EJOT | 2 |
| 61 | 0300080405 | Vis Tôle 4.2x19 | Screw 4.2x19 | 4 |
| 62 | 0300060304 | Vis 3/8 TH24 UNF Lg70 | Screw 3/8 TH24 UNF Lg70 | 1 |
| 63 | 0300090404 | Vis WN 1451 K 40x20 Torx | Screw WN 1451 K 40x20 Torx | 16 |
| 64 | 0300010609 | Vis HM 6x16 z emb cr | Screw HM 6x16 z notched shoulder | 14 |
| 65 | 0300020601 | Vis CHC M 6x16z | Screw CHC M6x16z | 2 |
| 66 | 0300010604 | Vis HM6x35z | Screw HM6x35z | 1 |
| 67 | 0300080603 | Vis TBCC M6x95 z | Screw TBCC M6x95 z | 1 |
| 68 | 0300010815 | Vis HM 8x16 z emb cr | Screw H M8x16 z notched shoulder | 6 |
| 69 | 0300010816 | Vis HM 8x20 z emb cr | Screw H M8x20 z notched shoulder | 4 |
| 70 | 0300010804 | Vis HM 8x110 z | Screw H M 8x110 z | 4 |
| 71 | 0300011008 | Vis H M10x25 z | Screw H M10x25 z | 8 |
| 72 | 0300011014 | Vis H M10x50 z | Screw H M10x50 z | 2 |
| 73 | 0300011016 | Vis H M10x110 z | Screw H M10x110 z | 3 |
| 73 | 0300010803 | Vis HM 8x100 z (moteur Briggs) | Screw HM 8x100 z (Briggs engine) | 2 |
| 73 | 0300010830 | Vis HM 8x130 z (moteur Briggs) | Screw HM 8x130 z (Briggs engine) | 1 |
| 74 | 0300210602 | Ecrou frein M 6 Z | Blocking nut M 6 Z | 2 |
| 75 | 0300211001 | Ecrou frein M 10 Z | Blocking nut M 10 Z | 13 |
| 76 | 0300260601 | Ecrou HM 6 z emb cr | Nut H M6 z notched shoulder | 16 |
| 77 | 0300260801 | Ecrou H M8 z emb cr | Nut H M8 z notched shoulder | 4 |
| 78 | 0302020042 | Rondelle de serrage E51 | Blade washer | 1 |
| 79 | 0300400603 | Rondelle M 6x12x1.2 Z | Washer M6x12x1.2z | 2 |
| 80 | 0300400602 | Rondelle M6x14x1.2 Z | Washer M6x14x1.2 Z | 1 |
| 81 | 0300401002 | Rondelle M 10x22x2 Z | Washer M 10x22x2 Z | 8 |
| 82 | 0300430601 | Rondelle contact 6 Bic | Elastic wacher 6 Bic | 1 |
| 83 | 0300430801 | Rondelle contact 8 | Contact washer 8 | 4 |
| 84 | 0300431001 | Rondelle contact 10 Bic | Elastic washer 10 Bic | 1 |
| 85 | 0301020002 | Goupille Ø4x24 HBK | Cotter-pin 4x24 HBK | 1 |
| 86 | 0301020005 | Goupille Ø5x40 HBK | Pin Ø5x40 HBK | 3 |
| 87 | 0301020006 | Goupille Ø6x30 HBK | Cotter-pin 6x30 HBK | 1 |
| 88 | 0301020007 | Goupille meca 8x30 | Cotter-pin 8x30 | 1 |
| 89 | 0301010009 | Goupille Clips 8x40 Bic | Cotter-pin | 1 |
| 90 | 0503000051 | Etiquette variation vitesse | Speed variation label | 1 |
| 91 | 0503000026 | Etiquette frein moteur | Engine brake label | 1 |
| 92 | 0503000002 | Etiquette d'avancement Mav | Foward movement stricker | 1 |
| 93 | 0503000006 | Etiquette "danger lame" | Label "danger sticker" | 1 |
| 94 | 0503000049 | Etiquette précautions d'emploi | Safety instructions label | 1 |
| 95 | 0503000054 | Etiquette regl coupe E51 Pro V2 | Cutting setting label E51 Pro V2 | 1 |
| 96 | 0503000055 | Etiquette réglage coupe | Height cutting label | 1 |
| 97 | 0503000044 | Etiquette gaz Honda GCV | Label throttle control GCV | 1 |
| 97 | 0503000043 | Etiquette gaz sans stop | Label throttle control without stop | 1 |
| 98 | 0301060003 | Collier polya | Collar | 2 |

Pièces de rechange Spare parts list

KIT MONTAGNE ROUES E51 PRO V2



| Rep N° | Ref. | Designation | Description | Qte |
|--------|------------|------------------------|--------------------------|-----|
| 100 | 0302030013 | Moyeu de roue | Wheel hub | 2 |
| 101 | 0306010023 | Bague bronze Ø20 | Bronze ring Ø20mm | 4 |
| 102 | 4002030201 | Palier fixe E51 Pro V2 | Fixed bearing E51 Pro V2 | 2 |
| 103 | 0301020004 | Goupille Ø5x30 | Pin Ø5x30 | 2 |